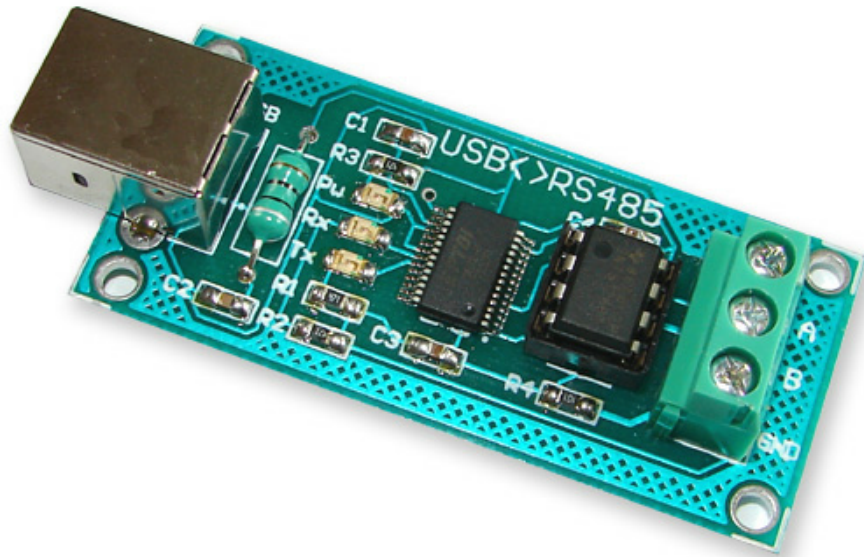


USB to RS485 FTDI interface Board



Description:

This converter provides two way serial communications signal conversion between the RS485 to and from a personal computer USB port using virtual serial COM port.

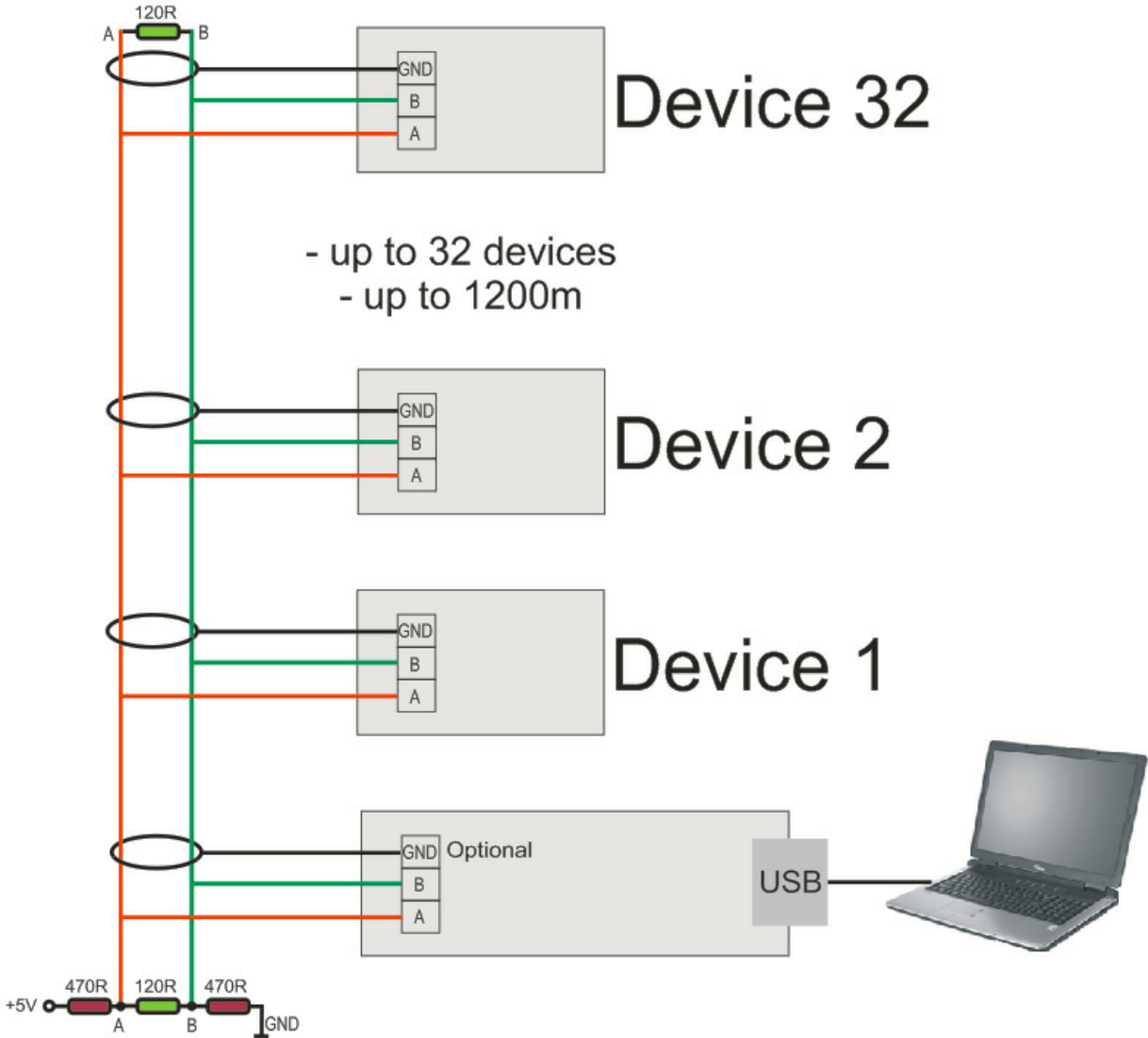
Complete includes:

- One USB to RS485 module
- One additional SN75176 BUS TRANSCEIVER

Features:

- Self-powered from USB.

RS-485 BUS

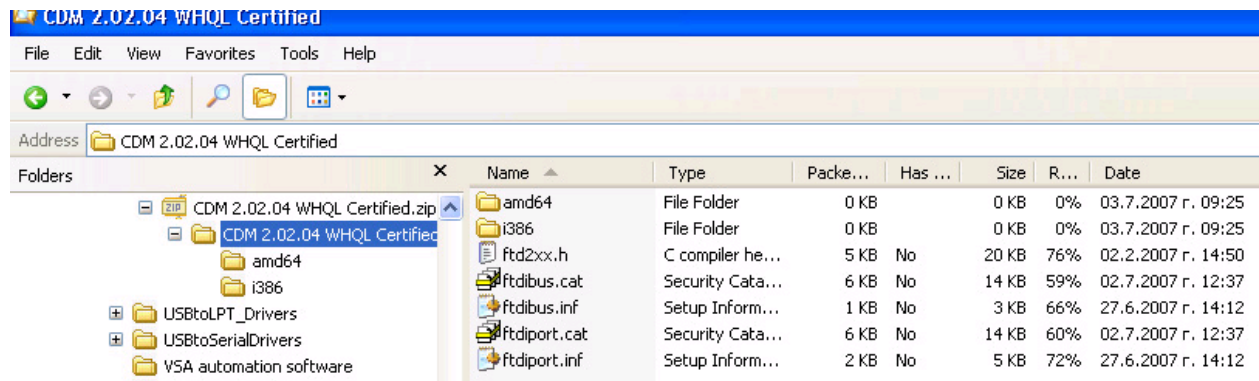


You have to download the drivers from FTDI website :

<http://www.ftdichip.com/Drivers/VCP.htm>

<http://www.ftdichip.com/Drivers/CDM/CDM%202.04.06%20WHQL%20Certified.zip>

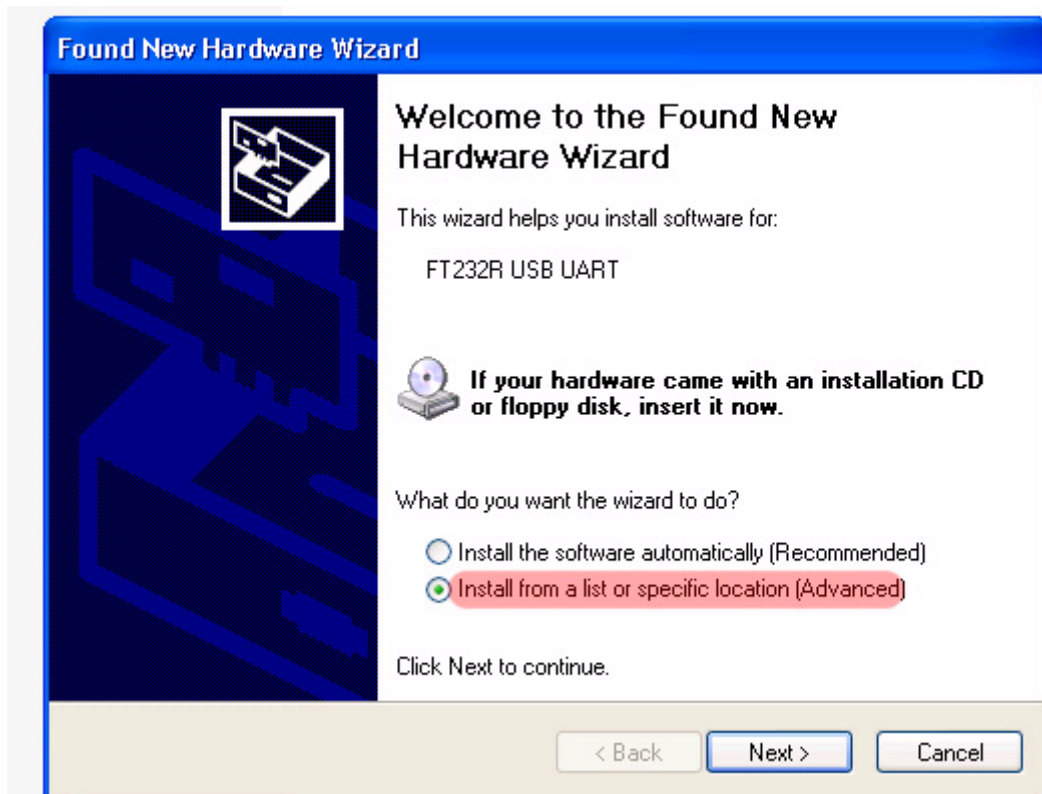
Unzip it to your own folder

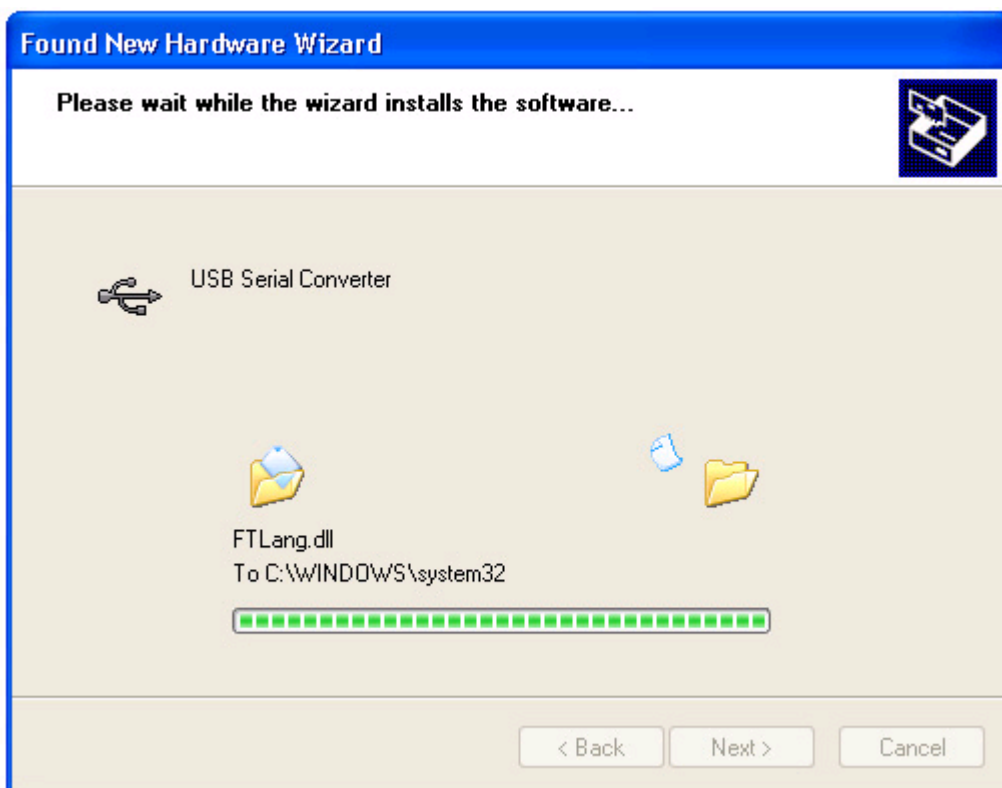
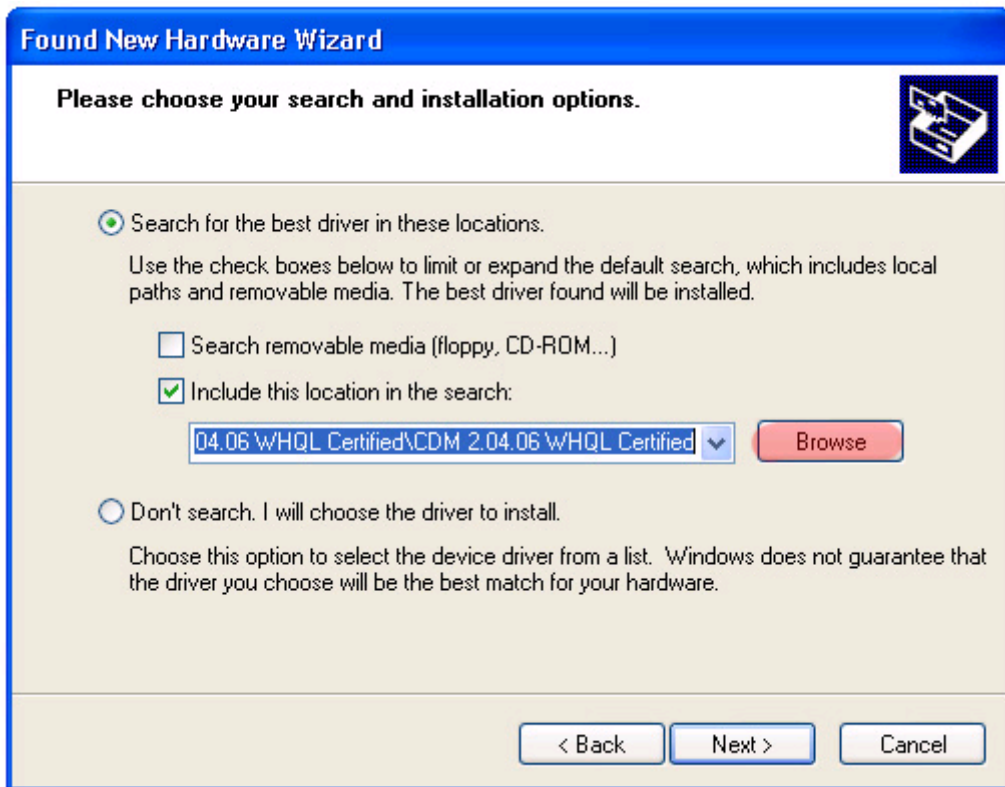


When you connect the USB board, the following message appears: FOUND NEW HARDWARE and drives need to be installed.

When you connect the USB board to the PC the red and green LED flashes 2,3 times and turn off. When the red LED and the green LED flashes means that there is a communication between the programmer and PC.

1. Drivers' installation:







After the drivers' installed, an additional COM port appears in the Device Manager of Windows- usually it is COM3:

