

USB to RS485 Adapter



© *KMTronic* 2011

This converter provides two way serial communications signal conversion between the RS485 to and from a personal computer USB port using virtual serial COM port.

The converter allows the user to easily and economically connect RS485 devices to a host using USB. The RS485 communications standard is used by many industrial control devices.

Features:

- Self-powered from USB.
- The converter is housed in a plastic enclosure.
- Auto turnaround data direction, no RTC control is required for communications.
- Uses the FTDI FT232RL chip.

Complete includes:

- One USB to RS-485 module



© KMTronic 2011



© KMTronic 2011

Drivers are available to work with the following operating systems :

Windows Server 2008 R2

Windows 7

Windows 7 x64

Windows Server 2008

Windows Server 2008 x64

Windows Vista

Windows Vista x64

Windows Server 2003

Windows Server 2003 x64

Windows XP

Windows XP x64

Windows 2000

Windows ME

Windows 98

Linux

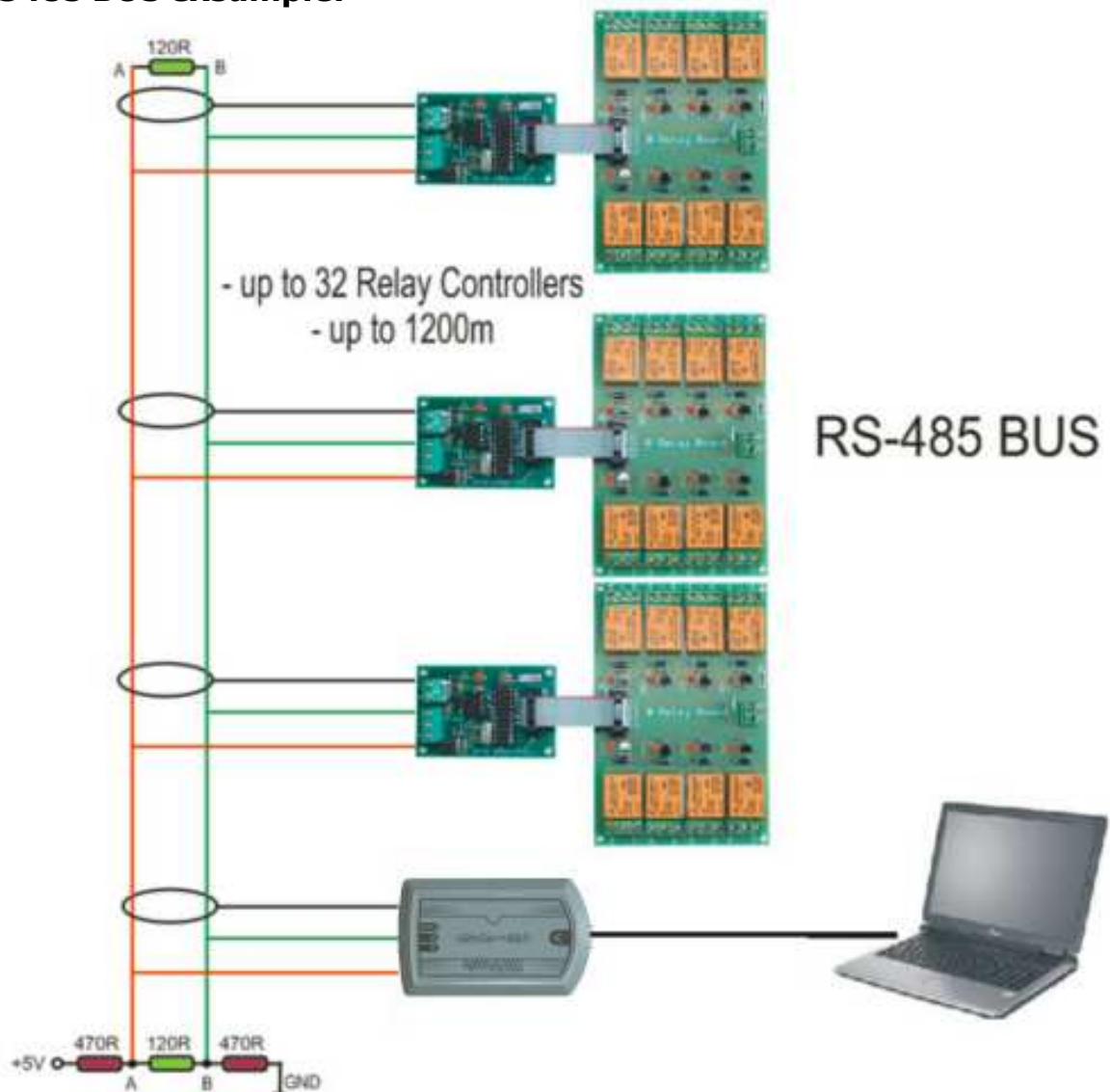
Mac OS X

Mac OS 9

Mac OS 8

Windows CE.NET (Version 4.2 and greater)

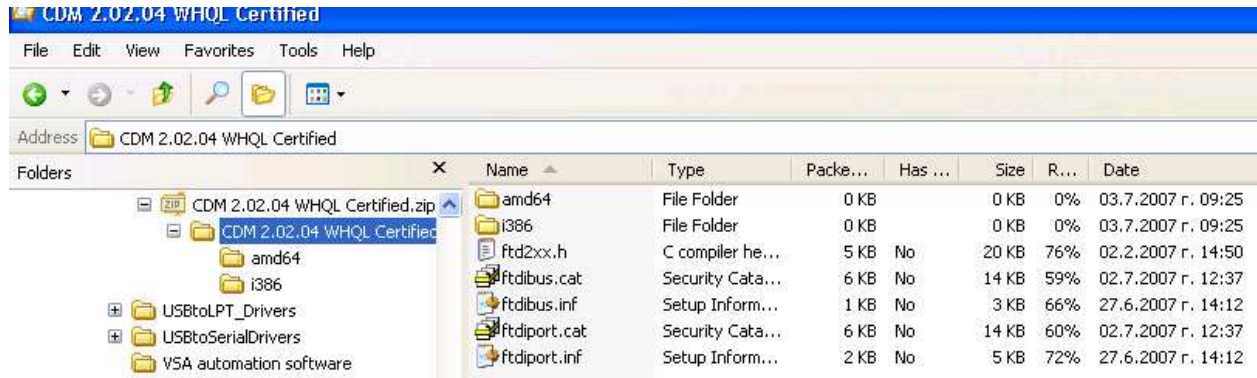
RS485 BUS example:



You have to download the drivers from FTDI website :

<http://www.ftdichip.com/Drivers/VCP.htm>

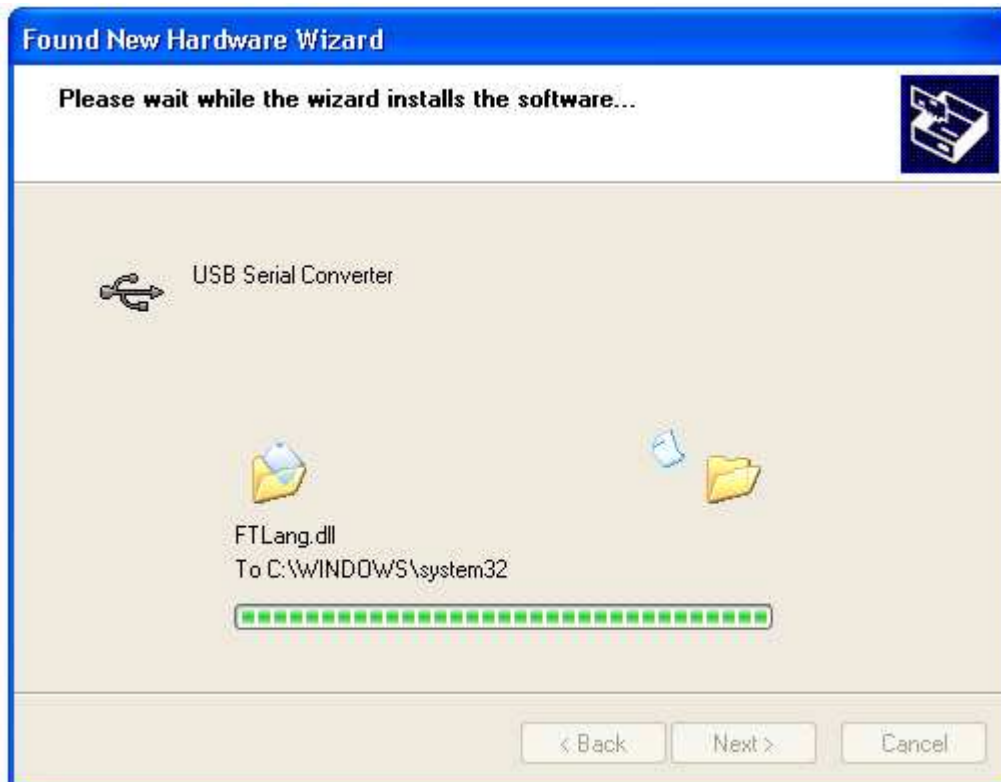
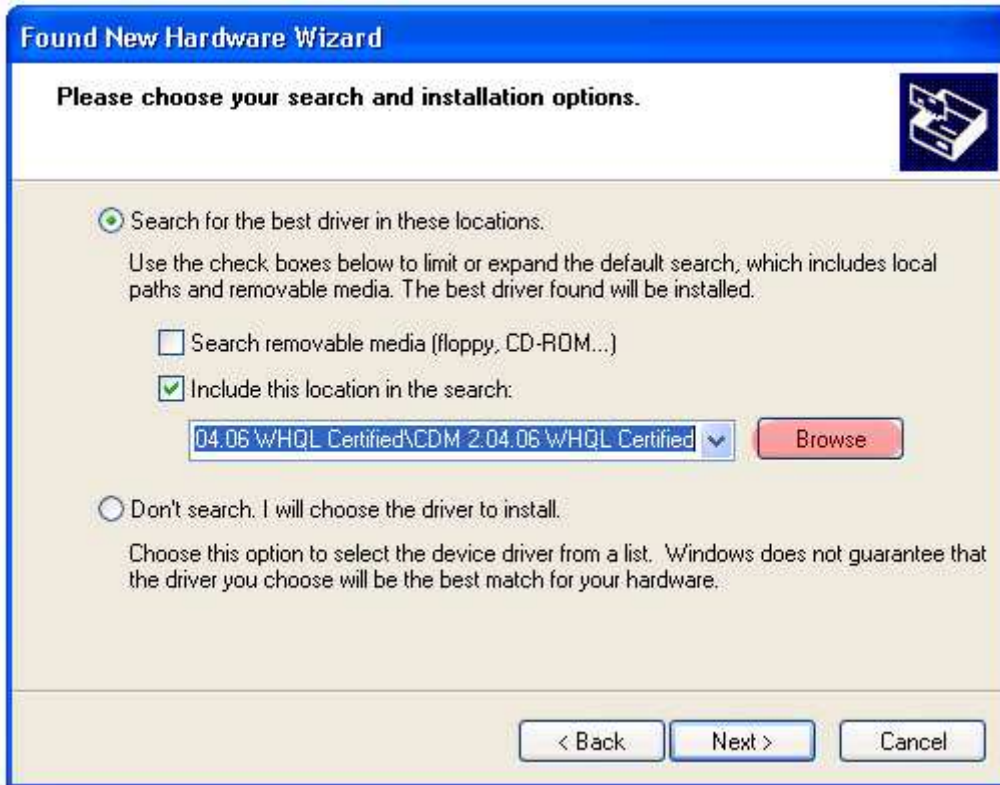
Unzip it to your own folder



1. Drivers' installation:



(c) Sigma-Shop.com All rights reserved.





After the drivers' installed, an additional COM port appears in the Device Manager of Windows- usually it is COM3:

