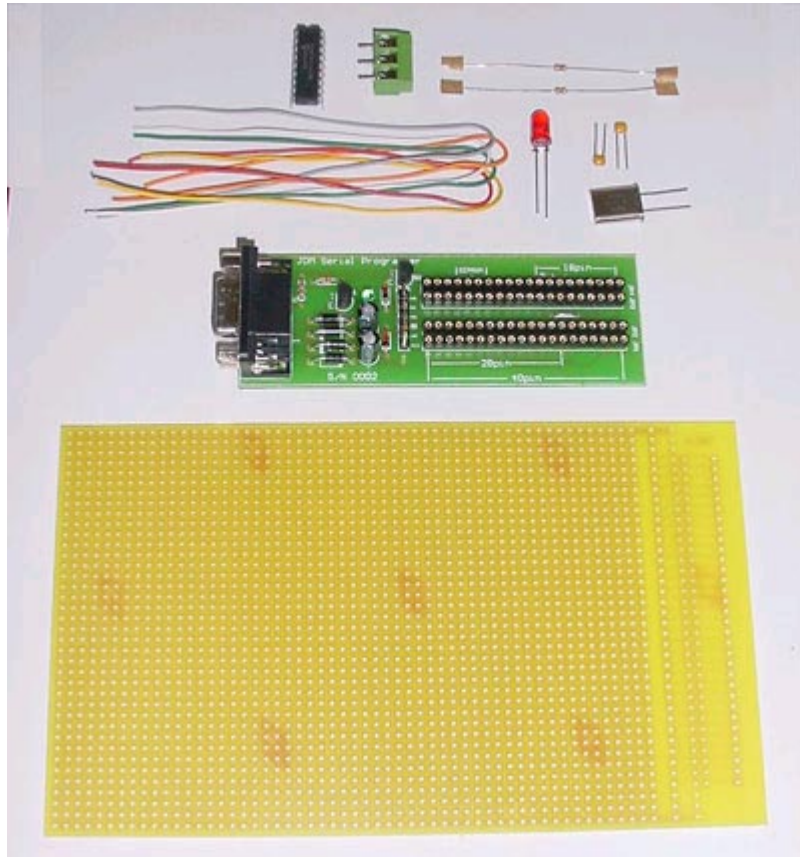


Getting started PIC16F84A kit + PIC programmer



Description :

The purpose of this demonstration is to control a LED with a PIC 16F84 microcontroller.

Once you get the Kit working, you will be able to make any project with Microchip microcontroller very quickly and easily which seems wordily to many people at the beginning.

This kit contains a PIC 16F84A-I/P chip, programmer and all other parts necessary to make the project.

Parts Used

1x Test board
1x PIC16F84A
1x LED Diode
1x 4 MHz Crystal Resonator
1x JDM PIC programmer
and necessary parts

PIC16F84

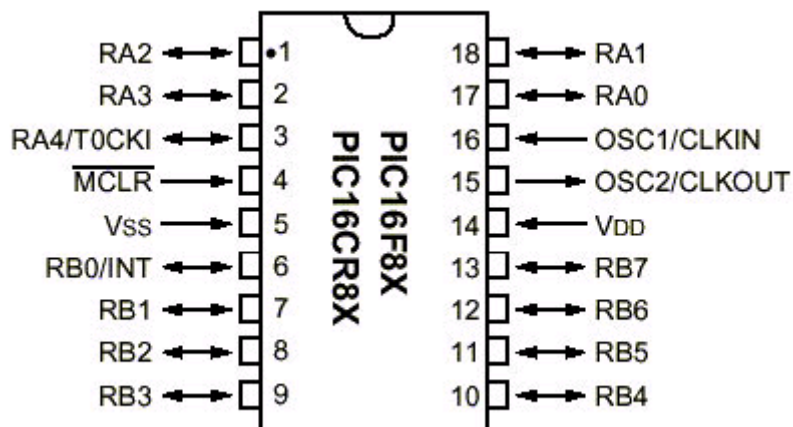
The PIC 16F84 is an inexpensive yet very versatile MCU in the PIC family. It features:

1K of Flash EEPROM
68 bytes of RAM
64 bytes of EEPROM data
operates at up to 10MHz
13 I/O pins
Only 35 instructions to learn
External Interrupt
Timer overflow Interrupt
High current sink/source

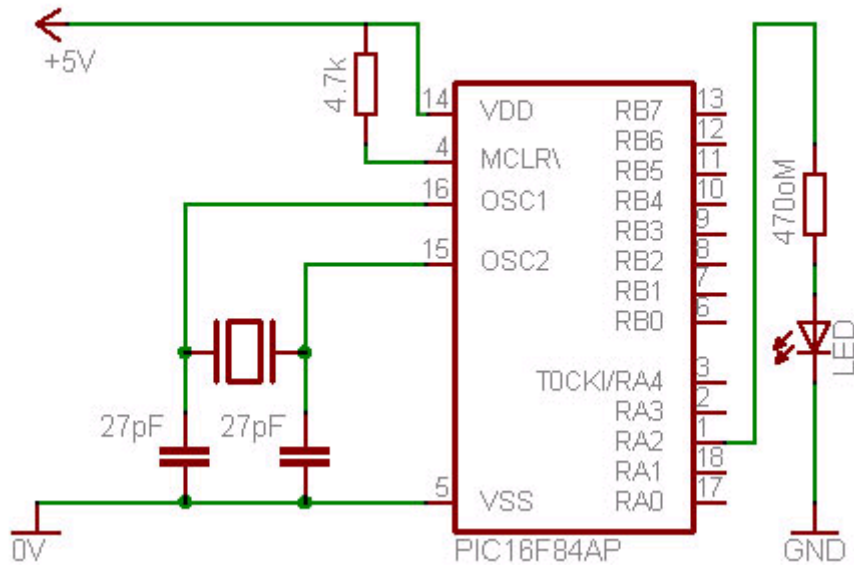
You can find complete documentation in the Data sheets from the Microchip web site.

<http://www.microchip.com>

<http://www.microchip.com/wwwproducts/Devices.aspx?dDocName=en010229>

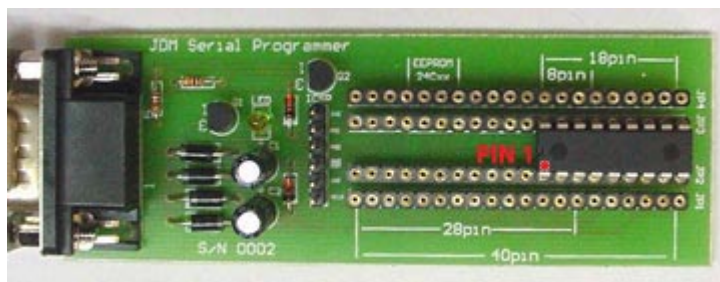


The Circuit
The circuit is very simple.



PIC programming

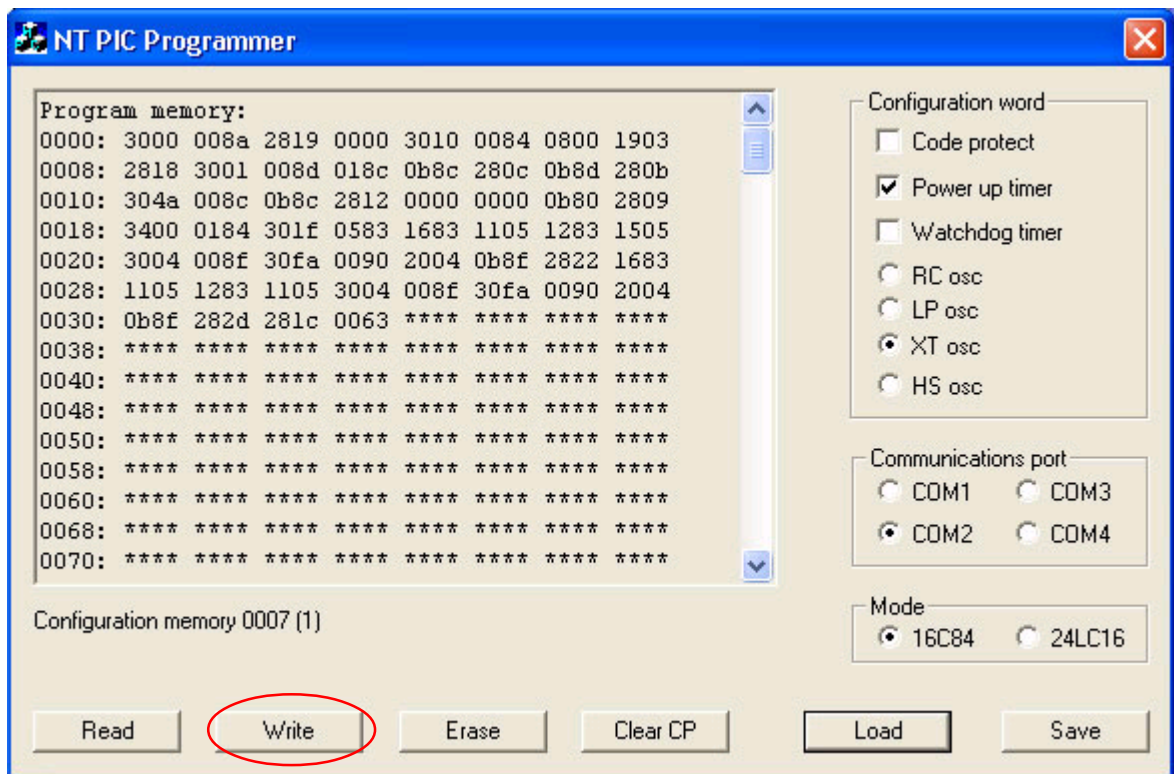
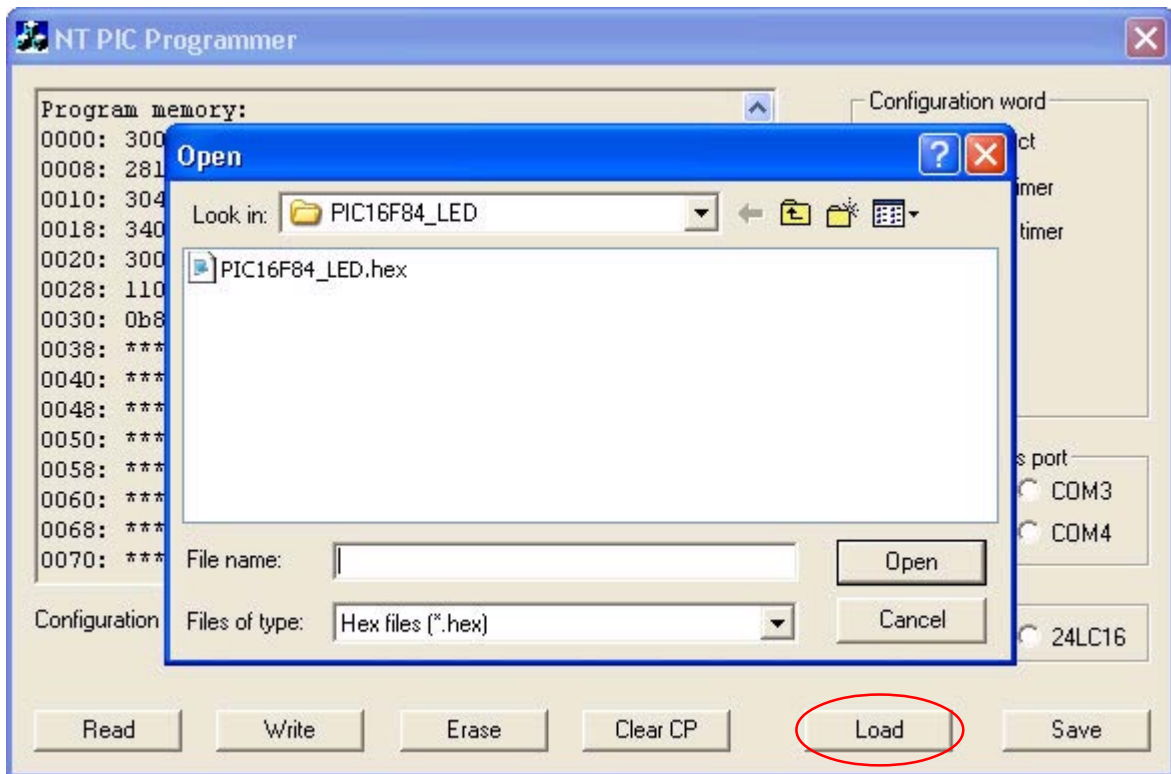
1. Insert PIC16F84 in programmer and connect to PC :



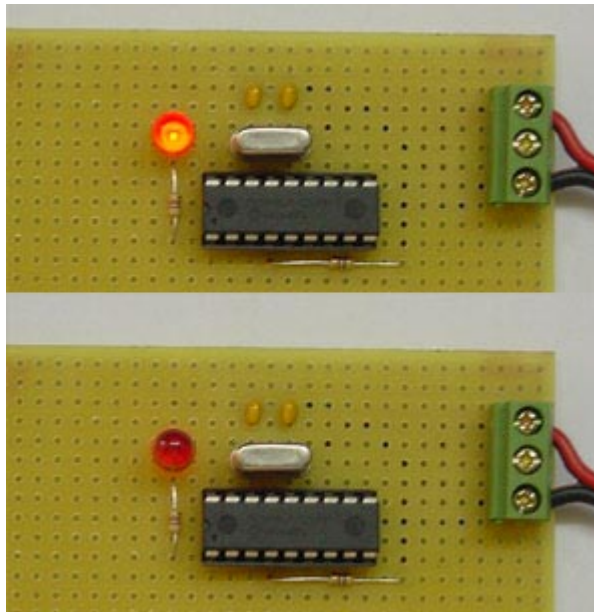
2 . Download software and HEX file :

http://www.sigma-shop.com/software/pic16f84_kit/pic16f84_kit.zip

3 . Program PIC with HEX code :



Flashing LED ... :)



Some projects with PIC16F84 :

<http://www.best-microcontroller-projects.com/pic-projects.html>

<http://mondo-technology.com>

<http://www.electronics-lab.com/blog/?tag=pic16f84>

Programmer manual :

http://www.sigma-shop.com/manuals/jdm_manual.pdf