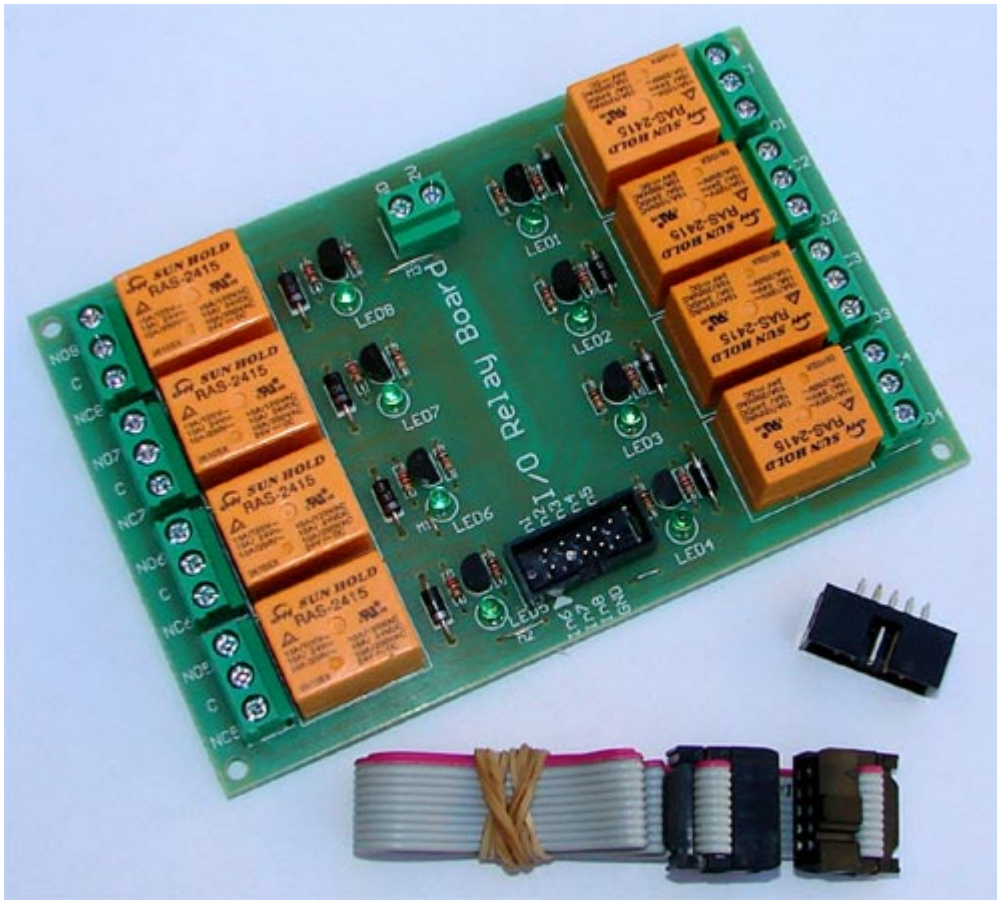


# Board with 8 RELAY ready for your project 24V



## **Description :**

I have developed this board because I needed such a board to operate a microwave pop-corn oven and a couple of DC motors in vending machine.

There are 8 relays each capable of switching 24VDC/15A or 240VAC/10A. Each relay has an LED to indicate when it is operated.

The required power is 24V DC / minimum 300 mA.

The set including :

- One assembled and tested relay's board
- One 10 PIN flat cable (approximately length 30cm)
- One additional 10 PIN connector

## Specifications :

Relays has Normally Open (NO) and Normally Closed (NC) Contacts rated for voltages:

- 12VDC/15A
- 24VDC/15A
- 125VAC/15A
- 250VAC/10A

Relay's datasheed :

(relays used : RAS-2415 - 1C)

<http://www.sigma-shop.com/information/Relay/RAS.pdf>

Supply :

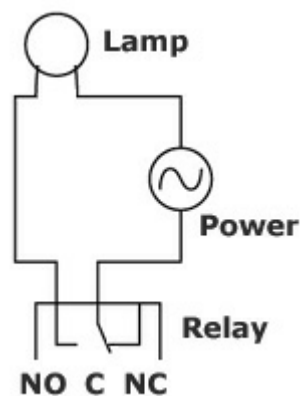
24 Volts / 300mA

Dimension : 120mm / 80mm / 20mm

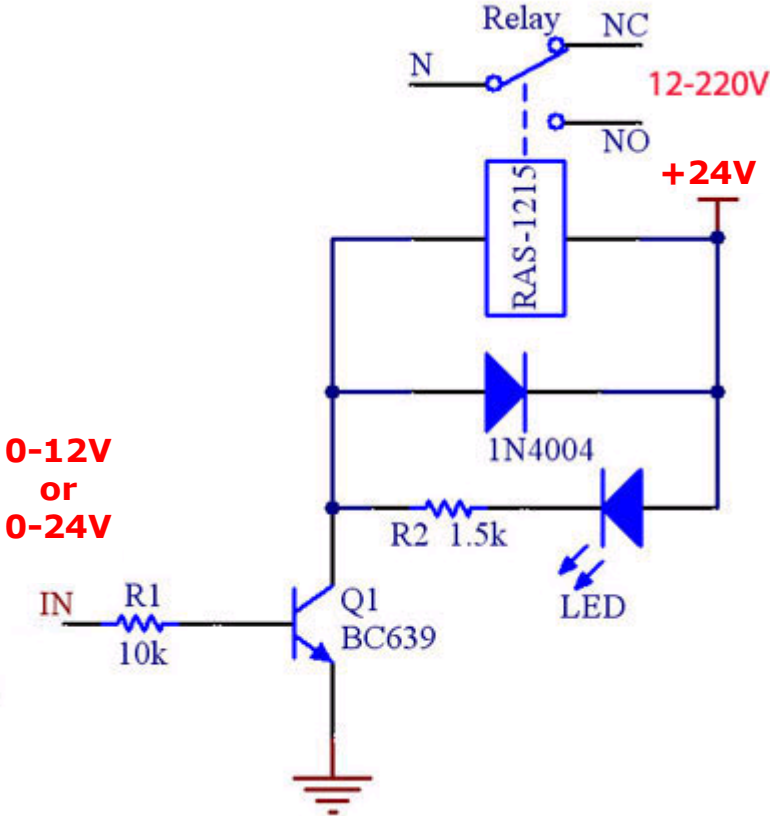
Connect power (24V) to board.



Connect device who you like to control :



This is a scheme of one relay module (channel):



Here is a sample project of Atmel application - board connected to AVR project controlled via USB:

