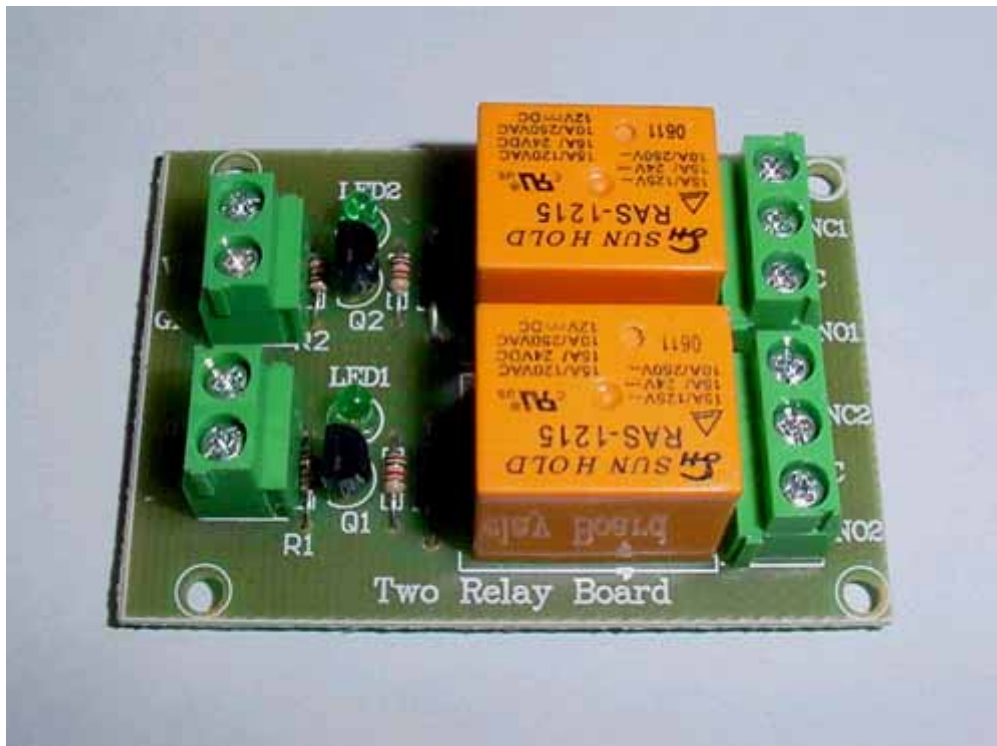


2 RELAY BOARD ready for your PIC, AVR project 12V



Specifications :

Relays has Normally Open (NO) and Normally Closed (NC) Contacts rated for voltages:

- 12VDC/15A
- 24VDC/15A
- 125VAC/15A
- 250VAC/10A

Relay's datasheed :

(relays used : RAS-1215 - 1C)

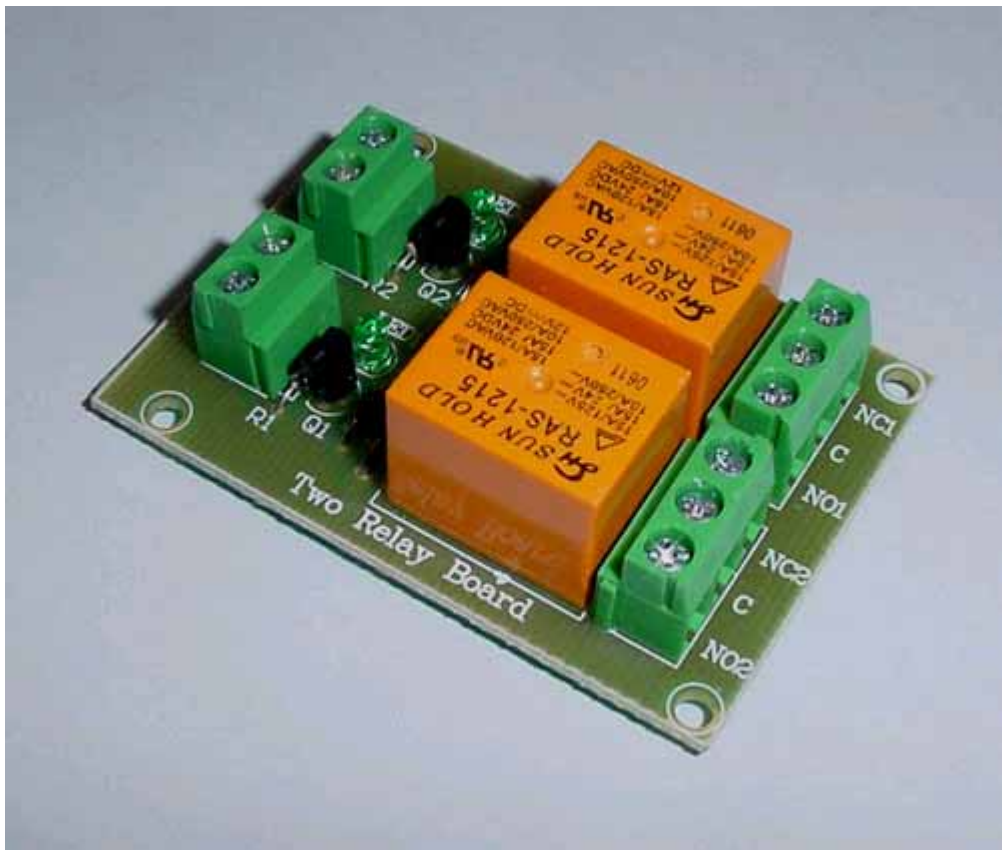
<http://www.sigma-shop.com/information/Relay/RAS.pdf>

Supply :

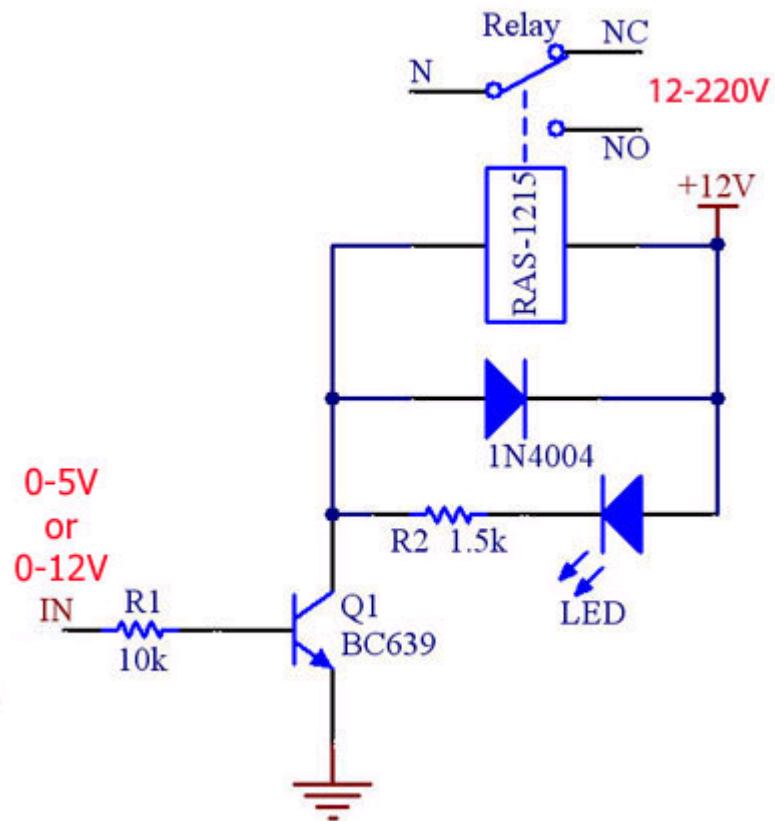
12 Volts / min 100mA

Dimensions :

50 mm / 45 mm / 20 mm



This is a scheme of one relay module (channel) :



Reverse DC motor scheme:

